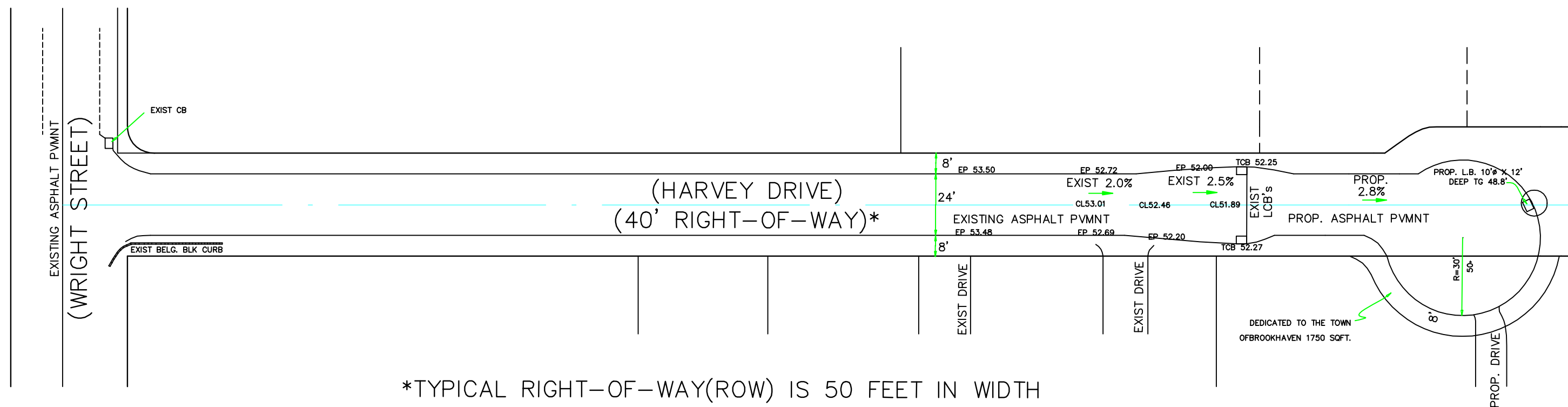
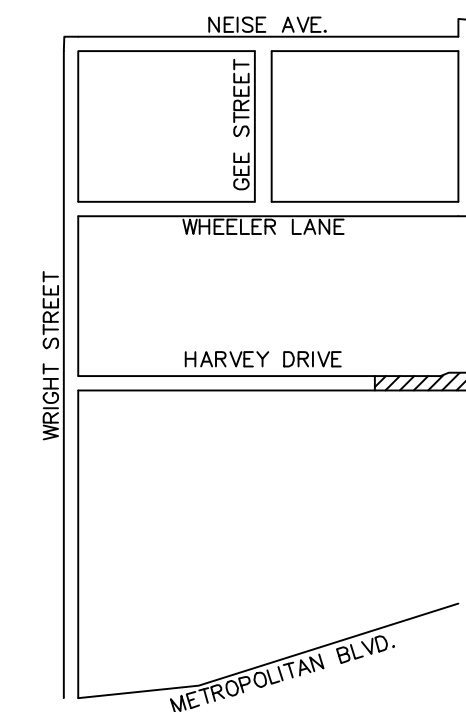


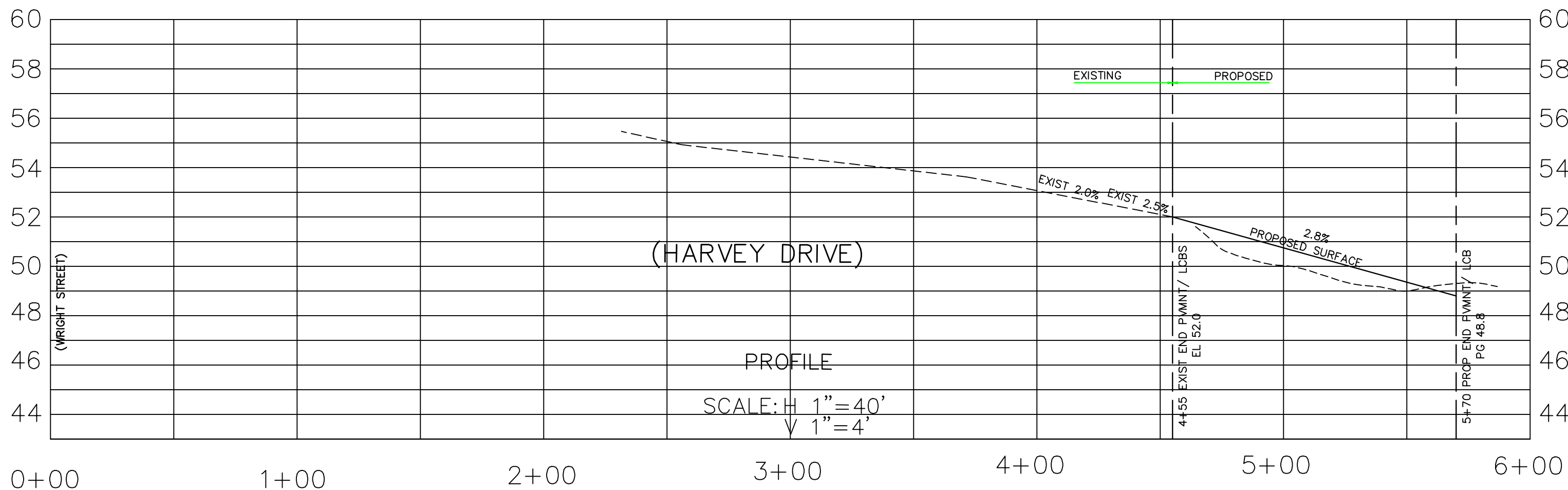
PLAN
SCALE: 1"=40'



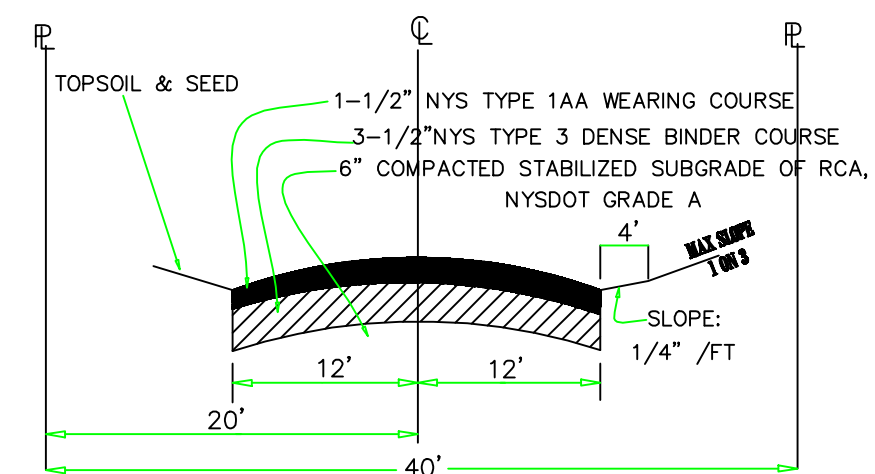
*TYPICAL RIGHT-OF-WAY (ROW) IS 50 FEET IN WIDTH



KEY MAP
SCALE: 1"=600'



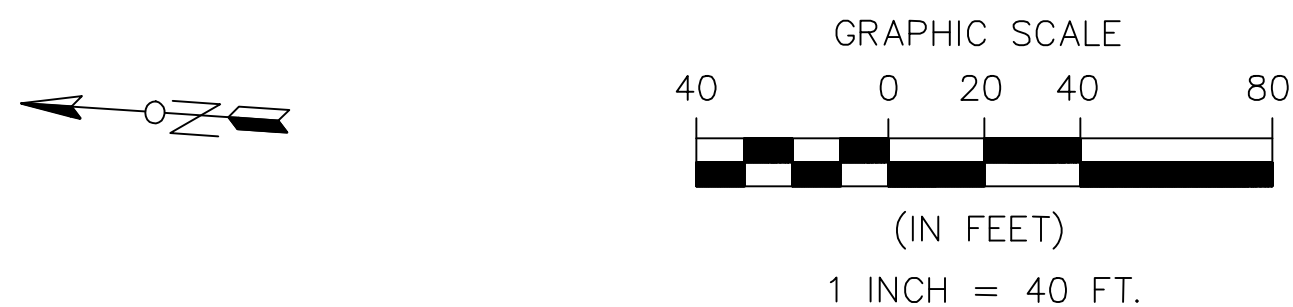
PROFILE
SCALE: H 1"=40'
V 1"=4'



TYPICAL CROSS-SECTION
NO SCALE

DRAINAGE DESIGN:
4,300 SF NEW PAVEMENT X 100% X 2"/12"=717
CF REQ

USE 1 NEW LCB, 10'φ X 12' DEEP, PROVIDING
821 CF



STREETS SHOWN HEREON AS SHOWN ON MAP OF
CITIFIELD PARKS, FILED OCTOBER 27, 1986, AS NO. 1

SAMPLE PLAN	
TOWN OF BROOKHAVEN	
ROAD IMPROVEMENT PLAN	
HARVEY DRIVE	
STUATED AT	
CORAM	
SUFFOLK COUNTY, NEW YORK	
SCTM #	
0200-XXXX-X-XXXX	
	HW-12